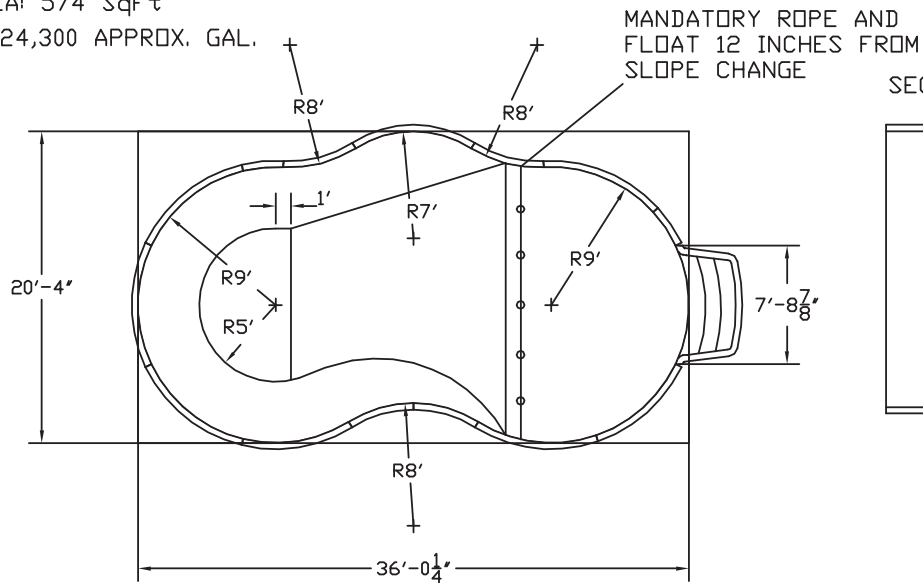


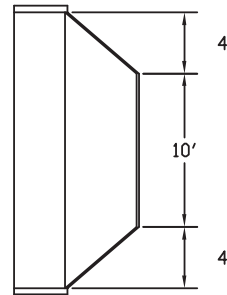
POOL PERIMETER: 94'-5 5/8"

POOL AREA: 574 SqFt

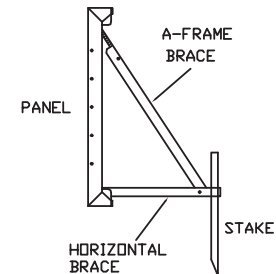
VOLUME: 24,300 APPROX. GAL.



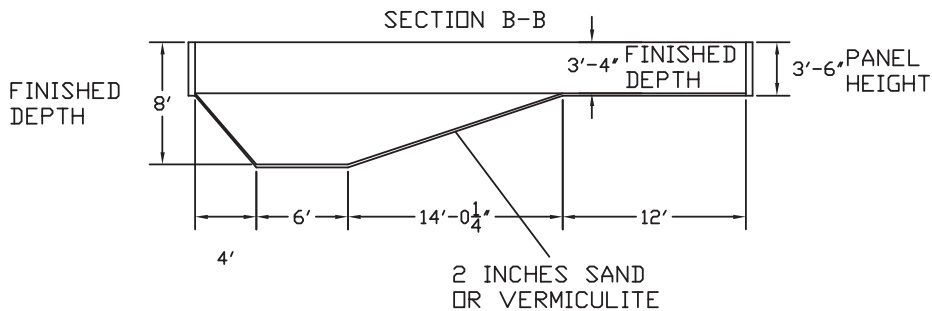
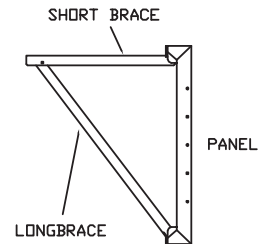
SECTION A-A



A-FRAME DETAIL



DECK SUPPORT DETAIL



NOTE:

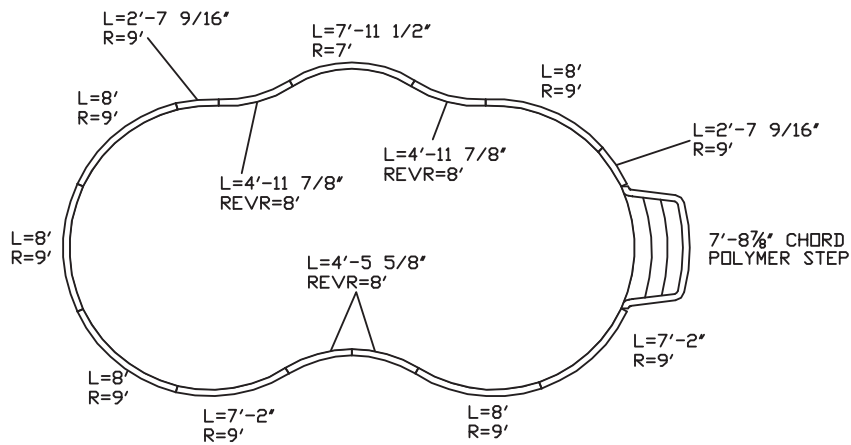
- 1) DEPTH AND SHAPE OF POOL MEETS MINIMUM STANDARDS OF THE INTERNATIONAL RESIDENTIAL CODE 2006 AG103.1 (ANSI/NSPI-5) FOR RESIDENTIAL USE.
- 2) A MEANS OF EGRESS FOR BOTH THE DEEP END AND THE SHALLOW END OF THE POOL MUST BE PROVIDED AS REQUIRED BY ANSI/NSPI-5 SECTION-6.
- 3) BUILDER TO PROVIDE A MEANS OF EQUIPOTENTIAL BONDING IN ACCORDANCE WITH NEC SECTION 680.
- 4) ALL A-FRAME BRACES WILL BE MOUNDED WITH A MINIMUM OF (1) CUBIC FOOT OF CONCRETE, OR A 6" POURED CONTINUOUS CONCRETE PERIMETER COLLAR.
- 5) "NO DIVING" LABELS TO BE INSTALLED AROUND PERIMETER OF THE POOL.
- 6) ENTRAPMENT AVOIDANCE MUST BE INSTALLED IN ACCORDANCE WITH NATIONAL STANDARD PLUMBING CODE SECTION 7.23.

AQUA-STEEL POOLS NOTES SWIMMING POOLS ARE DANGEROUS WHEN USED IMPROPERLY. NEVER DIVE IN THE SHALLOW END OF ANY POOL. CONSULT WITH THE DIVING BOARD AND SLIDE MANUFACTURER(S) AND THE NATIONAL SPA AND POOL INSTITUTE (2111 EISENHOWER AVENUE ALEXANDRIA, VA 22314 (703-838-0083) PRIOR TO INSTALLING DIVING BOARDS AND/OR SLIDES ON THIS POOL TO ENSURE THE POOL MEETS THE EQUIPMENT MANUFACTURERS MINIMUM STANDARDS FOR ALLOWABLE INSTALLATION OF THEIR PRODUCT(S) ON THIS POOL. AQUA-STEEL POOLS IS NOT RESPONSIBLE FOR THE POOL'S INTERIOR DETAIL, RATHER THE LINER MANUFACTURER MUST ENSURE THE INTERIOR MEETS N. S. P. I. AND A. N. S. I. STANDARDS. IT IS THE RESPONSIBILITY OF POOL BUILDERS, TOWN OFFICIALS AND POOL OWNERS TO FOLLOW ALL SAFETY GUIDELINES OF THE N. S. P. I., LOCAL ORDINANCES, AND EQUIPMENT MANUFACTURERS.

DWG# PKSOH1836

18' X 36' OAHU



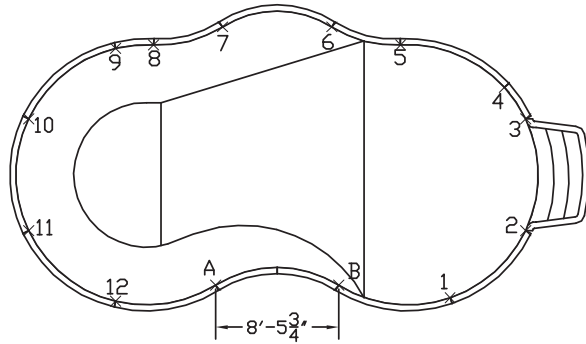


BILL OF MATERIALS	
QTY.	DESCRIPTION
2	L=2'-7 9/16" RAD=9'
2	L=7'-2" RAD=9'
5	L=8' RAD=9'
1	L=7'-11 1/2" RAD=7'
2	L=4'-5 5/8" REVRAD=8'
2	L=4'-11 7/8" REVRAD=8'
1	DEALER SUPPLIED 7'-8 7/8" CHORD POLYMER STEP

DWG# PKSOH1836

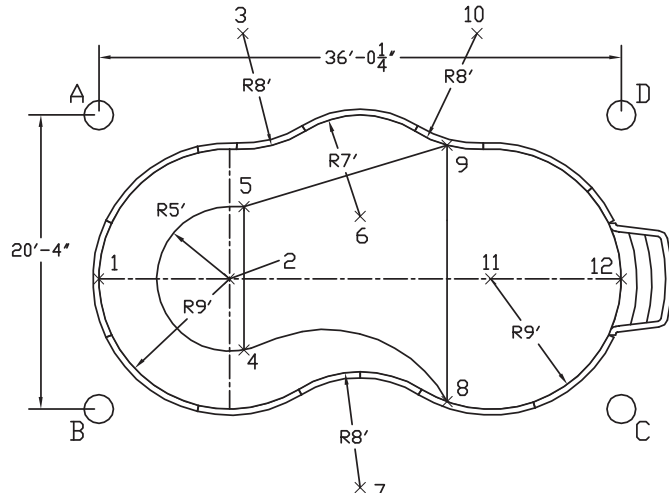
18' X 36' OAHU





INSIDE POINT TO POINT

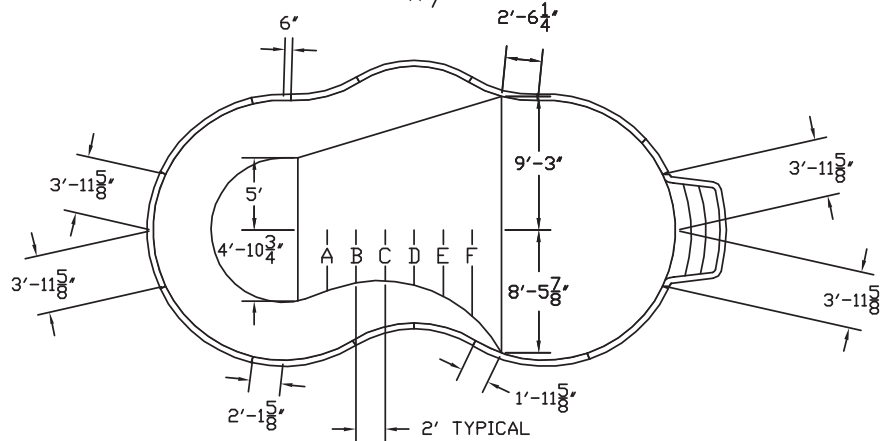
POINT A TO:	POINT B TO:
1) 16'-2 5/16"	1) 7'-8 7/8"
2) 21'-8 1/2"	2) 13'-5 1/4"
3) 24'-3 5/16"	3) 17'-3 3/8"
4) 24'-1 15/16"	4) 17'-9 15/16"
5) 20'-11 3/8"	5) 17'-1 15/16"
6) 19'-6 15/16"	6) 17'-10 7/16"
7) 17'-10 7/16"	7) 19'-6 15/16"
8) 17'-1 15/16"	8) 20'-11 3/8"
9) 17'-9 3/16"	9) 22'-5 1/2"
10) 17'-3 3/8"	10) 24'-3 5/16"
11) 13'-5 3/16"	11) 21'-8 1/2"
12) 6'-11 3/4"	12) 15'-4 15/16"



POINT A TO	POINT B TO
1) 11'-4"	1) 9'
2) 14'-5 11/16"	2) 12'-8 3/4"
3) 11'-5 1/8"	3) 27'-9 11/16"
4) 19'-0 13/16"	4) 10'-9 11/16"
5) 11'-10 1/16"	5) 17'-2 7/16"
6) 19'-3 7/8"	6) 22'-4 7/8"
7) 31'-5 1/16"	7) 18'-9 11/16"

POINT C TO	POINT D TO
8) 12'-0 1/8"	8) 23'-2"
9) 21'-10 1/16"	9) 12'-2 3/16"
10) 27'-9 11/16"	10) 11'-5 1/8"
11) 12'-8 3/4"	11) 14'-5 11/16"
12) 9'	12) 11'-4"

POINT A TO C: 41'-4 3/8"
 POINT B TO D: 41'-4 3/8"



Slope:

A) 4'-2 1/4"	D) 3'-9 1/2"
B) 3'-7 1/2"	E) 4'-6 11/16"
C) 3'-6"	F) 5'-11 1/4"

DWG# PKSOH1836

18' X 36' OAHU

